

A3/11"x17" Tray Unit Type 2105 (B331)

This parts catalog includes MB No. 1

A3/11"x17" Tray Unit Type 2105 (B331)

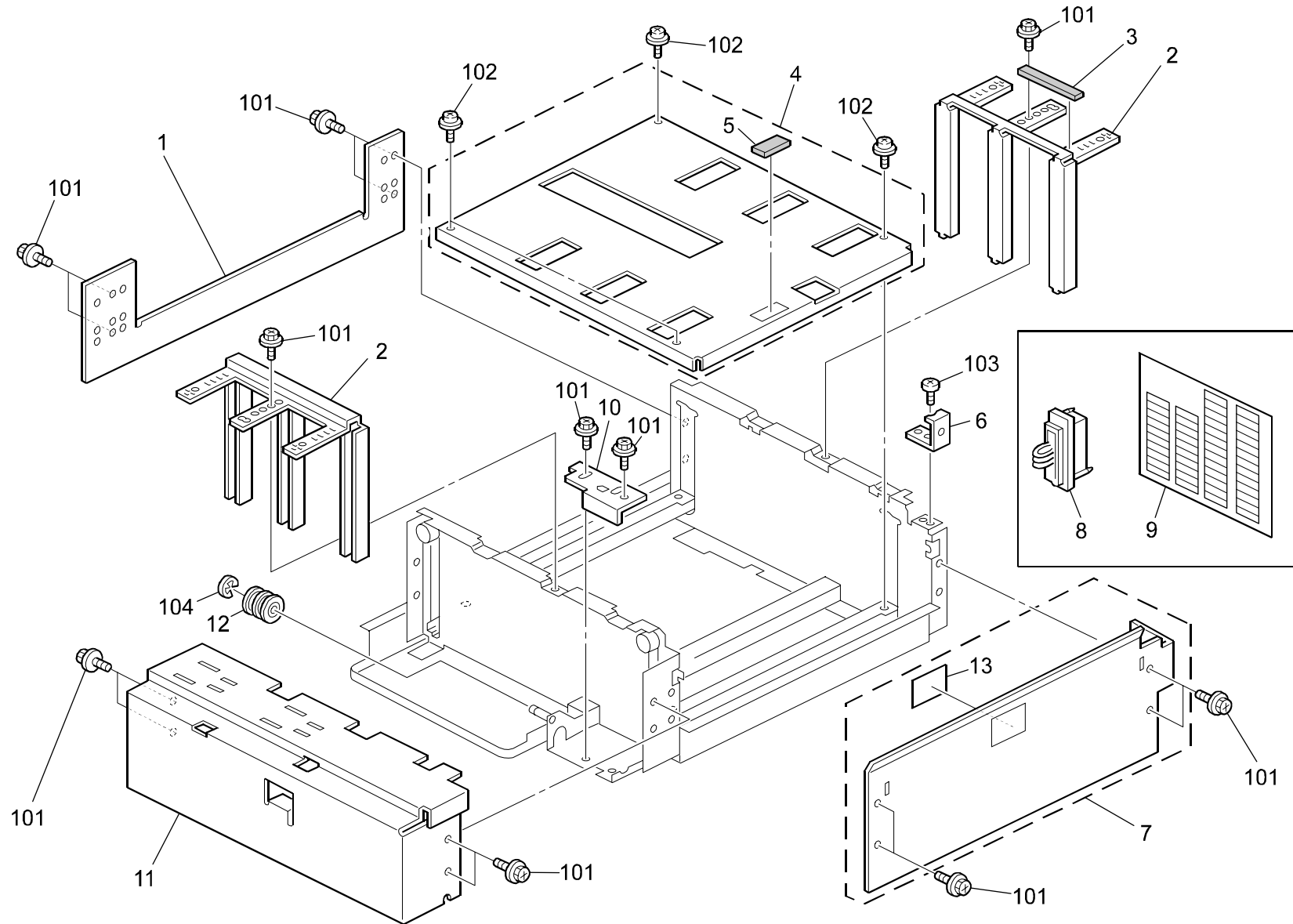
PARTS CATALOG

This catalog gives the numbers and names of parts on this machine.

1.PAPER TRAY 1 (B331)	2
2.PAPER TRAY 2 (B331)	4
PARTS INDEX	7

April ,8 ' 2005

1.PAPER TRAY 1 (B331)

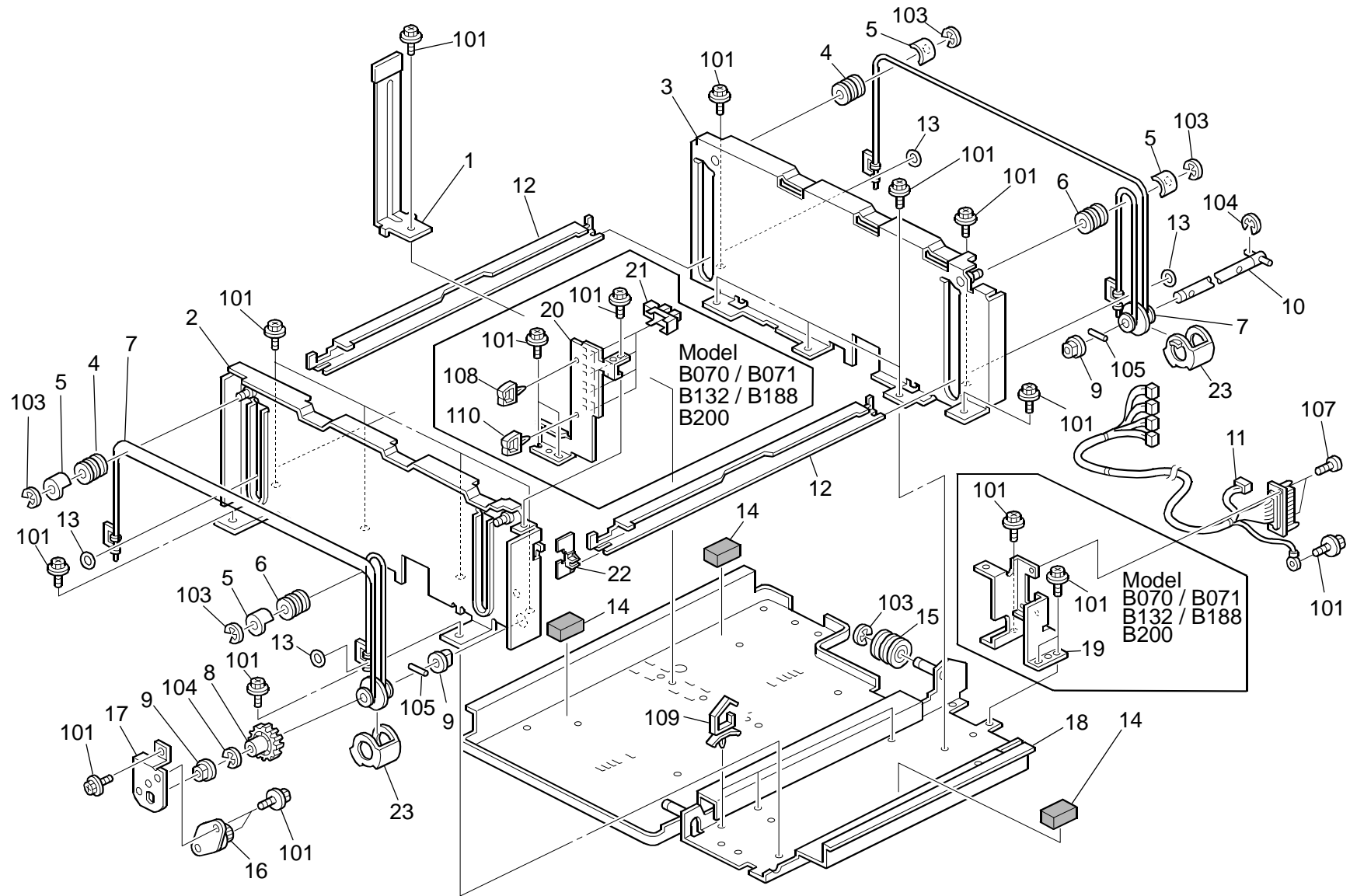


1.PAPER TRAY 1 (B331)

Index No.	Part No.	Description	Q'ty Per Assembly
1	A294 6645	Left Side Plate	1
2	B331 6852	Side Fence	2
3	AA15 3063	Seal - 4x10x70	1
4	B331 6844	Bottom Plate	1
5	5201 2858	Friction Pad	1
6	A176 6695	Misfeed Removal Guide	1
7	A294 6666	Side Plate	1
8	B331 5472	Connector Harness (A294/A295)	1
8	B475 6873	Paper Tray Harness (B070/B071/B132/B188/B200)	1
9	AA00 2096	Decal - Size Indication (A294/A295)	1
9	B070 1308	Decal:Size Indication:Paper Tray (B070/B071/B132/B188/B200)	1
10	A248 6659	Right Stopper	1
11	B331 6828	Front Cover	1
12	AF02 2105	Roller - Slide Rail	1
13	AA00 2010	Decal - Paper Level (B070/B071/B132/B188/B200)	1

Index No.	Part No.	Description	Q'ty Per Assembly
101	0451 4006B	Tapping Screw - 4x6	
102	0951 4006B	Philips Screw With Washer - M4x6	
103	0414 0080B	Binding Self-tapping Screw - M4x8	
104	0720 0040B	Retaining Ring - M4	

2.PAPER TRAY 2 (B331)



2.PAPER TRAY 2 (B331)

Index No.	Part No.	Description	Q'ty Per Assembly
1	B331 6862	End Fence	1
2	B331 6822	Front Side Plate	1
3	B331 6825	Rear Side Plate	1
4	AB03 2058	Wire Pulley - M10	2
5	A248 6695	Guide - Pulley	4
6	AB03 2719	Pulley - M10	2
7	B331 6836	Drive Wire With Pulley	2
	B331 6834	X/O MB1	
8	AB01 3781	Gear - 30Z	1
9	5053 0223	Bushing - 8mm	3
10	A248 6687	Right Drive Shaft	1
11	B331 5000	Harness:Paper Tray:A3:Set Sensor (B070/B071/B132/B188/B200)	1
11	B331 5471	A3/DLT Paper Tray Connector (A294/A295)	1
12	A248 6682	Stay - Right Base	2
13	A248 6694	Wire Ring	4
14	B331 6811	Cushion - 20x30	3
15	AF02 2105	Roller - Slide Rail	1
16	A248 6701	Oil Damper	1
17	A248 6703	Bracket - Oil Damper	1
18	B331 6812	Base Plate	1
19	A248 6743	Connector Bracket (B070/B071/B132/B188/B200)	1
20	B331 6706	Bracket:Sensor:Paper Volume (B070/B071/B132/B188/B200)	1
21	AW02 0056	Photointerruptor - EE-SX4235A-P1 (B070/B071/B132/B188/B200)	4
22	A294 6690	Feeler - Paper Height Sensor	1
23	A248 6696	Pulley Cover	2

Index No.	Part No.	Description	Q'ty Per Assembly
101	0451 4006B	Tapping Screw - 4x6	
103	0720 0040E	Retaining Ring - M4	
104	0720 0060E	Retaining Ring - M4	
105	0633 0200G	Pin - M3x20	
107	0313 0080B	Philips Pan Head Screw - M3x8	
108	1105 0199	Clamp	
109	1105 0488	Harness Clamp	
110	1105 0230	Clamp	

Parts Index

Parts Index

Part No.	Description	Page and Index No.
B331 5000	Harness:Paper Tray:A3:Set Sensor	5 - 11
B331 5471	A3/DLT Paper Tray Connector (A294/A295)	5 - 11
B331 5472	Connector Harness (A294/A295)	3 - 8
B331 6706	Bracket:Sensor:Paper Volume	5 - 20
B331 6811	Cushion - 20x30	5 - 14
B331 6812	Base Plate	5 - 18
B331 6822	Front Side Plate	5 - 2
B331 6825	Rear Side Plate	5 - 3
B331 6828	Front Cover	3 - 11
B331 6834	X/O MB1	5 - 7
B331 6836	Drive Wire With Pulley	5 - 7
B331 6844	Bottom Plate	3 - 4
B331 6852	Side Fence	3 - 2
B331 6862	End Fence	5 - 1

Part No.	Description	Page and Index No.
A176 6695	Misfeed Removal Guide	3 - 6
A248 6659	Right Stopper	3 - 10
A248 6682	Stay - Right Base	5 - 12
A248 6687	Right Drive Shaft	5 - 10
A248 6694	Wire Ring	5 - 13
A248 6695	Guide - Pulley	5 - 5
A248 6696	Pulley Cover	5 - 23
A248 6701	Oil Damper	5 - 16
A248 6703	Bracket - Oil Damper	5 - 17
A248 6743	Connector Bracket	5 - 19
A294 6645	Left Side Plate	3 - 1
A294 6666	Side Plate	3 - 7
A294 6690	Feeler - Paper Height Sensor	5 - 22
B070 1308	Decal:Size Indication:Paper Tray	3 - 9
B475 6873	Paper Tray Harness	3 - 8

Part No.	Description	Page and Index No.
AA00 2010	Decal - Paper Level	3 - 13
AA00 2096	Decal - Size Indication (A294/A295)	3 - 9
AA15 3063	Seal - 4x10x70	3 - 3
AB01 3781	Gear - 30Z	5 - 8
AB03 2058	Wire Pulley - M10	5 - 4
AB03 2719	Pulley - M10	5 - 6
AF02 2105	Roller - Slide Rail	3 - 12
AF02 2105	Roller - Slide Rail	5 - 15
AW02 0056	Photointerruptor - EE-SX4235A-P1	5 - 21

Part No.	Description	Page and Index No.
0313 0080B	Philips Pan Head Screw - M3x8	5 - 107
0414 0080B	Binding Self-tapping Screw - M4x8	3 - 103
0451 4006B	Tapping Screw - 4x6	5 - 101
0451 4006B	Tapping Screw - 4x6	3 - 101
0633 0200G	Pin - M3x20	5 - 105
0720 0040B	Retaining Ring - M4	3 - 104
0720 0040E	Retaining Ring - M4	5 - 103
0720 0060E	Retaining Ring - M4	5 - 104
0951 4006B	Philips Screw With Washer - M4x6	3 - 102
1105 0199	Clamp	5 - 108
1105 0230	Clamp	5 - 110
1105 0488	Harness Clamp	5 - 109

Part No.	Description	Page and Index No.
5053 0223	Bushing - 8mm	5 - 9
5201 2858	Friction Pad	3 - 5

Part No.	Description	Page and Index No.